

STOP GLOBE VALVE ACID-PROOF TYPE ZKA160

CHARACTERISTIC:

Diameter	-	15 -200 mm;
Pressure	-	160 bar;
Temperature	-	up to 250°C for acids, bases and other aggressive media;
	-	up to 550°C for non-toxic media; (with PTFE sealing up to 200°C);
Medium	-	acids, liquors, water, steam and other non-toxic and non aggressive liquid and gas media, engine fuel.

VERSIONS:

type - body material / ends / disc and disc ring / others

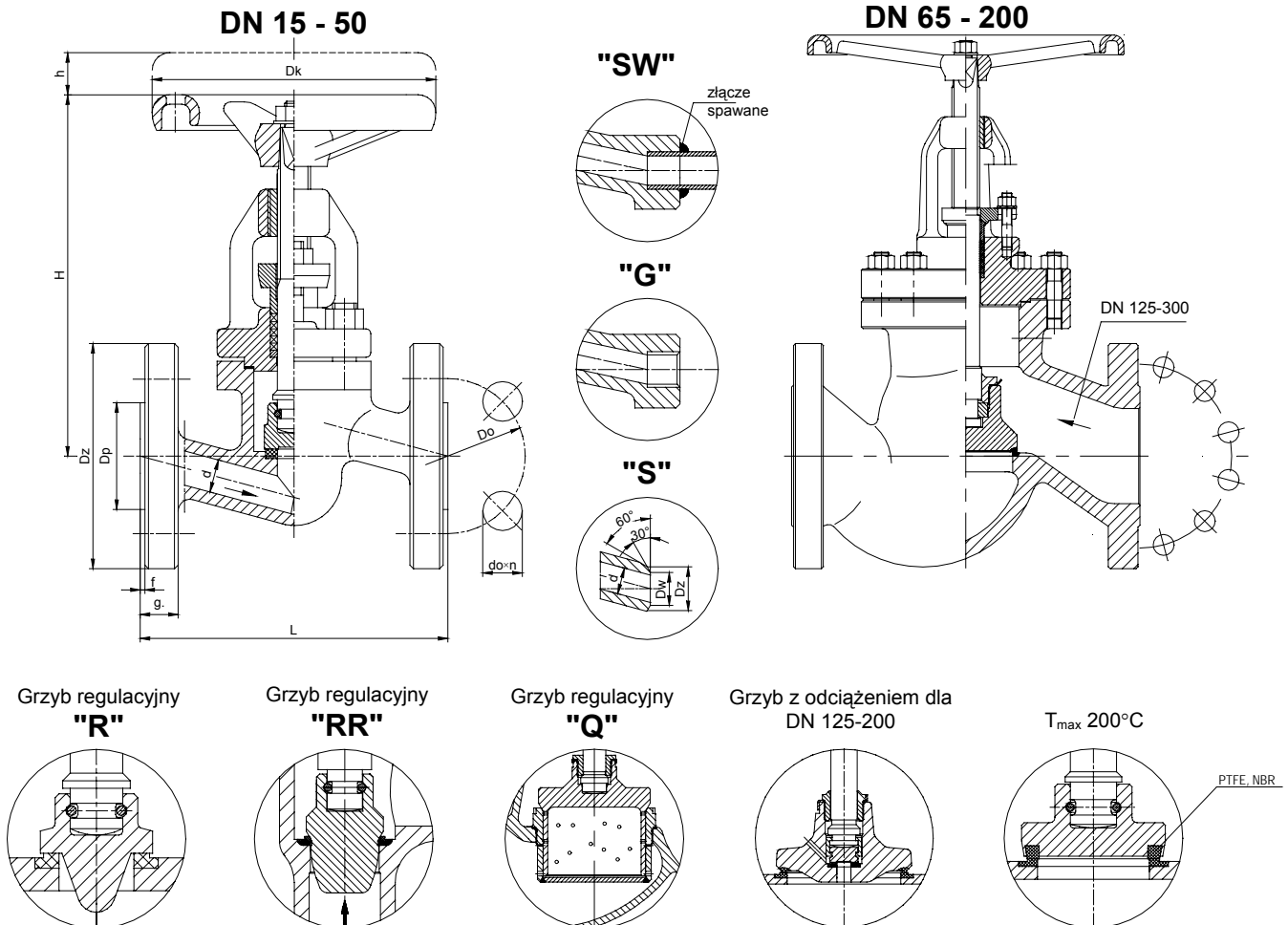
Example: ZKA160 / --- / --- / ---

Example: ZKB160 / S / R / ---

Type - body material	Sign	Ends	Sign	Disc and disc ring	Sign	Others	Sign
X6CrNi18-10 or GX5CrNi19-10	ZKA160	Standard - flanged	---	Standard	---	-----	---
X2CrNiMo17-12-2 or GX5CrNiMo19-11-2	ZKB160	Butt weld ends	S	Throttle plug	R		
		Socket weld	SW	Throttle plug	RR		
		Threaded	G	Throttle plug	Q		
				PTFE ring	P		
				NBR ring	N		

APPLICATION:

Stop globe valve is designed to open and stop the flow. The valve is not supposed to be used as a regulating device. For regulation the version „R” with throttling plug should be applied.



WK

® FABRYKA ARMATURY PRZEMYSŁOWEJ

„WAKMET” spółka jawna

Kaczmarek, Krzywdziński, Wachowski, Wilczyński

Bodzanów 75 48-340 GŁUCHOŁAZY 1

tel. +48(077) 439-40-20, fax +48(077) 439-18-72

e-mail: wakmet@wakmet.com.pl

http: www.wakmet.com.pl

MATERIALS:

Versions	ZKA160	ZKB160	ZKA160	ZKB160
Parts	DN 15 - 50		DN 65 - 300	
Body, bonnet	X6CrNiTi18-10 (1.4541)	X2CrNiMo17-12-2 (1.4404)	GX5CrNi19-10 (1.4308)	GX5CrNiMo19-11-2 (1.4408)
Disc	X6CrNiTi18-10 (1.4541)	X2CrNiMo17-12-2 (1.4404)	X6CrNiTi18-10 (1.4541)	X2CrNiMo17-12-2 (1.4404)
Stem	X6CrNiTi18-10 (1.4541)	X2CrNiMo17-12-2 (1.4404)	X6CrNiTi18-10 (1.4541)	X2CrNiMo17-12-2 (1.4404)
Packing rings, gasket	Grafit			
Wheel	Cast iron			

Special materials on request; modifications reserved.

DIMENSIONS:

Stzndard - flanged														With butt weld ends			
DN	d	Dz	Dp	Do	do	n	L	g	f	H	h	Dk	Weight	Dz	Dw	L	Weight
15	15	105	45	75	14	4	210	20	2	175	13	120	5,40	22	17	160	3,05
20	20	130	58	90	18	4	230	22	2	215	13	160	9,70	28	21	160	3,05
25	24	140	68	100	18	4	230	24	2	215	13	160	10,60	35	27	160	3,10
32	30	155	78	110	22	4	260	24	2	245	16	200	15,60	44	34,5	230	9,40
40	38	170	88	125	22	4	260	28	3	245	18	200	17,30	50	43	230	9,90
50	47	195	102	145	30	4	300	30	3	300	22	250	29,00	62	52,5	300	20,90
65	63	220	122	170	26	8	340	34	3	330	30	280	47,80	77	65	340	31,90
80	78	230	138	180	26	8	380	36	3	375	40	360	62,00	91	76,5	380	49,70
100	95	265	162	210	30	8	430	40	3	520	55	360	112,00	117	98,5	430	97,10
125	120	315	188	250	33	8	500	44	3	600	65	400	165,00	144	120,5	500	139,90
150	145	355	218	290	33	12	550	44	3	700	70	500	251,00	172	144,5	550	205,10
200	195	430	285	360	36	12	650	60	3	900	110	600	295,00	223	189	650	220,00

TECHNICAL DATA:

Body material	Medium	PN	Nominal working pressure at working temperature																
			20°C	100°C	150°C	200°C	250°C	300°C	350°C	400°C	450°C	480°C	500°C	510°C	520°C	530°C	540°C	550°C	
X6CrNiTi18-10 (1.4541)	Aggressive media	160	160	159	149	142	135	-	-	-	-	-	-	-	-	-	-	-	
		GX5CrNi19-10 (1.4308)	160	160	122	109	95	89	-	-	-	-	-	-	-	-	-	-	-
X6CrNiTi18-10 (1.4541)	Non Aggressive media	160	160	159	149	142	135	127	123	119	116	115	113	113	113	113	112	108	
		GX5CrNi19-10 (1.4308)	160	160	122	109	95	89	84	78	72	67	64	61	-	-	-	-	-
X2CrNiMo17-12-2 (1.4404)	Aggressive media	160	160	160	156	149	147	-	-	-	-	-	-	-	-	-	-	-	
		GX5CrNiMo19-11-2 (1.4408)	160	160	129	116	103	95	-	-	-	-	-	-	-	-	-	-	-
X2CrNiMo17-12-2 (1.4404)	Non Aggressive media	160	160	160	156	149	147	138	132	129	125	123	122	122	121	121	121	121	
		GX5CrNiMo19-11-2 (1.4408)	160	160	129	116	103	95	88	84	80	78	78	77	-	-	-	-	-

MOUNTING AND OPERATING:

The valve can only be mounted and operated by skilled, properly trained and qualified personnel. Incorrect assembly or operation of the valve may have substantial impact on the entire system such as fluid leakage, reduction in system's function etc.

Before a valve is installed the pipeline must be clean from any mechanical impurities. The compatibility of critical parameters of the flow must be checked with the parameters of the valve. Stop globe valve can be mounted to a pipe-line in any position. The direction of flow should only comply with the arrow marked on the body. The valve should be operated strictly with its assign. In order to provide valve's reliability the following suggestions must be observed:

- medium flowing through the valve is supposed to be clean out of any mechanical impurities;
- the valve must be protected from any mechanical damages during its work;
- nominal parameters marked on the valve must be observed.