

CHECK VALVE TYPE 464

CHARACTERISTIC:

Diameter	-	10 -200 mm;
Pressure	-	100 bar;
Temperature	-	up to 560°C (with PTFE sealing up to $\leq 200^\circ\text{C}$);
Medium	-	water, steam and other non-toxic, non aggressive liquid and gas media and engine fuel.

VERSIONS:

type / ends / body material / disc and disc ring / others

Example: 464 / --- / --- / --- / ---

Example: 464 / S / U / P / ---

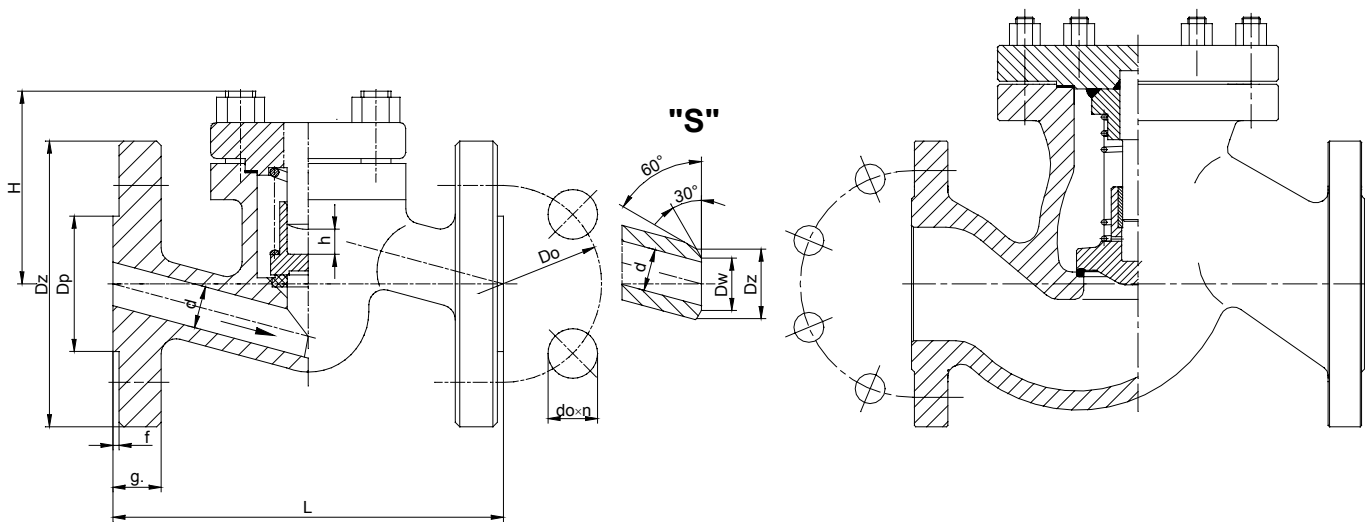
Ends	Sign	Body material	Sign	Disc and disc ring	Sign	Others	Sign
Standard – flanged	---	(P250GH) C 22.8 or GP240GH	---	Standard	---	-----	---
Butt weld ends	S	16Mo3 or G20Mo5	U	PTFE ring	P		
Socket weld	SW	13CrMo4-5 or G17CrMo5-5	A	NBR ring	N		
Threaded	G			STELLIT ring	L		

APPLICATION:

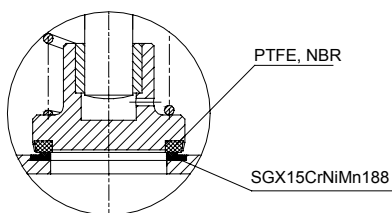
The check valve is designed to keep pipeline safe from returning the medium.

DN 10 ÷ 40

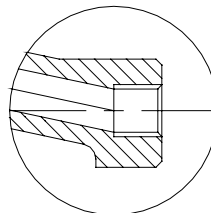
DN 50 ÷ 200



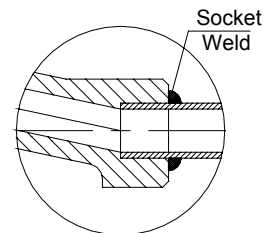
T_{MAX} 200°C



"G"



"SW"



WK



FABRYKA ARMATURY PRZEMYSŁOWEJ

„WAKMET” spółka jawna

Kaczmarek, Krzywdziński, Wachowski, Wilczyński

Bodzanów 75 48-340 GŁUCHOŁAZY 1

tel. +48(077) 439-40-20, fax +48(077) 439-18-72

e-mail: wakmet@wakmet.com.pl

http: www.wakmet.com.pl

MATERIALS:

Versions	Standard	U	A	Standard	U	A
Parts	T _{MAX} 450°C	T _{MAX} 530°C	T _{MAX} 560°C	T _{MAX} 450°C	T _{MAX} 500°C	T _{MAX} 550°C
	DN 15 - 40			DN 50 - 200		
Body, bonnet	(P250GH) C22.8 (1.0460)	16Mo3 (1.5415)	13CrMo4-5 (1.7335)	GP240GH (1.0619)	G20Mo5 (1.5419)	G17CrMo5-5 (1.7357)
Seat ring	G 18 8 Mn (1.4370) or Stellite					
Disc	X30Cr13 (1.4028) , X17CrNi16-2 (1.4057) , P245GH (1.0352) , 13CrMo4-5 (1.7335)					
Disc ring	G 18 8 Mn (1.4370) or Stellite , or PTFE , NBR					
Spring	51CrV4 (1.2241)					
Gasket	Grafit + austenite					

Special materials on request; modifications reserved.

DIMENSIONS:

Standard - flanged														With butt weld ends			
DN	d	Dz	Dp	Do	do	n	L	g.	f	H	h	Weight	Dz	Dw	L	Weight	
10	-	-	-	-	-	-	-	-	-	-	-	-	20	13	160	2,70	
15	14	105	45	75	14	4	210	20	2	70	13	4,00	22	17	160	2,70	
20	19	130	58	90	18	4	230	22	2	75	13	6,20	28	21,5	160	2,70	
25	23	140	68	100	22	4	230	24	2	75	13	8,30	35	28,5	160	2,70	
32	30	155	78	110	22	4	260	24	2	95	16	11,50	44	36	230	5,20	
40	38	170	88	125	22	4	260	28	3	95	18	14,80	50	43	230	7,70	
50	45	195	102	145	26	4	300	28	3	140	22	15,70	62	54	300	12,90	
65	62	220	122	170	26	8	340	30	3	170	30	37,50	77	69	340	26,30	
80	73	230	138	180	26	8	380	32	3	195	40	40,30	91	81	380	27,50	
100	94	265	162	210	30	8	430	36	3	200	55	54,00	117	104	430	37,20	
125	120	315	188	250	33	8	500	40	3	225	65	76,00	144	127	500	48,90	
150	144	355	218	290	33	12	550	44	3	300	70	151,00	172	154	550	101,10	
200	195	430	285	360	36	12	650	52	3	400	100	215,00	223	199,5	650	135,00	

Dimensions in mm; modifications reserved.

TECHNICAL DATA:

Body material	PN	Maximal working pressure at working temperature																	
		20°C	100°C	150°C	200°C	250°C	300°C	350°C	400°C	450°C	480°C	500°C	510°C	520°C	530°C	540°C	550°C	560°C	
(P250GH)C 22.8 (1.0460)		bar																	
	100	100,0	92,8	88,0	83,3	76,1	69,0	64,2	59,5	52,8	-	-	-	-	-	-	-	-	
	16Mo3 (1.5415)	100	100,0	100,0	100,0	100,0	97,6	85,7	80,9	76,1	73,8	56,0	44,2	36,1	28,0	22,3	-	-	-
	13CrMo4-5 (1.7335)	100	100,0	100,0	100,0	100,0	100,0	99,5	95,2	90,4	85,7	73,4	65,2	54,9	44,7	37,1	29,0	23,3	19,0
	GP240GH (1.0619)	100	100,0	78,9	72,4	65,8	60,1	54,5	50,8	48,9	31,2	-	-	-	-	-	-	-	-
	G20Mo5 (1.5419)	100	100,0	82,9	77,1	71,4	66,7	62,0	58,3	56,4	54,5	40,9	31,9	-	-	-	-	-	-
G17CrMo5-5 (1.7357)	100	100,0	100,0	100,0	100,0	100,0	100,0	100,0	95,2	69,1	51,8	38,6	34,2	29,8	25,4	21,1	16,7	-	

MOUNTING AND OPERATING:

The valve can only be mounted and operated by skilled, properly trained and qualified personnel. Incorrect assembly or operation of the valve may have substantial impact on the entire system such as fluid leakage, reduction in system's function etc.

Before a valve is installed the pipeline must be clean from any mechanical impurities. The compatibility of critical parameters of the flow must be checked with the parameters of the valve. Check valve can be mounted to a pipe-line in any position. The direction of flow should only comply with the arrow marked on the body. The valve should be operated strictly with its assign. In order to provide valve's reliability the following suggestions must be observed:

- medium flowing through the valve is supposed to be clean out of any mechanical impurities;
- the valve must be protected from any mechanical damages during its work;
- nominal parameters marked on the valve must be observed.