

GATE VALVE TYPE ZST320

CHARACTERISTIC:

Diameter	-	50 -350 mm;
Pressure	-	320 bar;
Temperature	-	up to 600°C;
Medium	-	water, steam and other non-toxic, non-aggressive media

VERSIONS:

type / body material / drive type / others

Example: ZST320 / --- / --- / ---

Example: ZST320 / A / NA / ---

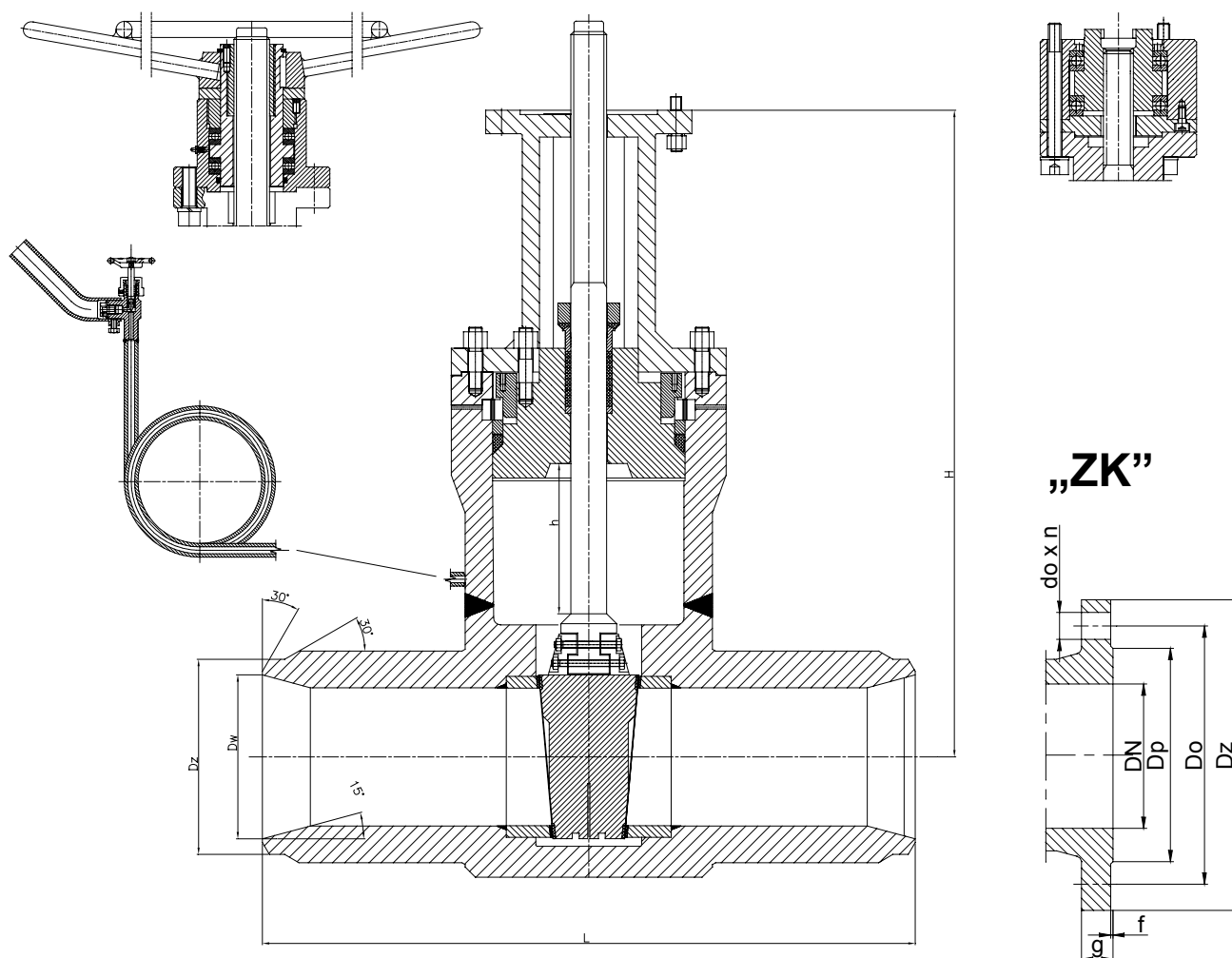
Body material	Sign
(P250GH) C 22.8	---
16Mo3	U
13CrMo4-5	A
11CrMo9-10	B
14MoV6-3	C

Drive type	Sign
Hand wheel	---
AUMA drive	NA
NWA drive	NW
MODACT drive	NM
Pneumatic drive	NP

Others	Sign
-----	---

APPLICATION:

Gate valve is designed to open and stop the flow. The gate valve can be mounted to a pipeline in any position. It should operate in a close or open position.



WK

® FABRYKA ARMATURY PRZEMYSŁOWEJ

„WAKMET” spółka jawna

Kaczmarek, Krzywdziński, Wachowski, Wilczyński

Bodzanów 75 48-340 GŁUCHOŁAZY 1

tel. +48(077) 439-40-20, fax +48(077) 439-18-72

e-mail: wakmet@wakmet.com.pl

http: www.wakmet.com.pl

MATERIALS:

Versions	Standard	U	A	B	C
Parts	T _{MAX} 450°C	T _{MAX} 530°C	T _{MAX} 560°C	T _{MAX} 600°C	T _{MAX} 570°C
Body, bonnet, wedge	(P250GH) C22.8 (1.0460)	16Mo3 (1.5415)	13CrMo4-5 (1.7335)	11CrMo9-10 (1.7383)	14MoV6-3 (1.7715)
Stem	BT9				
Seat ring	Stellit				
Wedge ring	Stellit				
Packing rings	Grafit				
Wheel	Steel				

Special materials on request; modifications reserved.

DIMENSIONS:

DN	Dz	Dw	L	H	h	Dk	Weight	Flanged								
								Dz	Dp	Do	do	n	L	g.	f	Weight
50	65	47	350	490	61	400	45,00	210	102	160	26	8	350	42	3	65,00
	77	59,5														
65	90	68	425	545	77	700	70,00	255	122	200	30	8	425	51	3	77,00
80	115	87,5	470	624	92	700	122,00	275	138	220	30	8	470	55	3	134,00
100	-	-	550	690	115	700	170,00	335	162	265	36	8	550	65	3	187,00
125	-	-	650	760	140	700	245,00	380	188	310	36	12	650	75	3	270,00
150	-	-	750	1040	160	1100	290,00	425	218	350	39	12	750	84	3	319,00
175	-	-	-	-	-	-	-	By customers acceptance								
200	-	-	950	1280	225	1100	670,00	525	285	440	42	16	950	103	3	737,00
250	-	-	1150	1150	270	-	1100,0	640	345	540	52	16	1150	125	3	1210,00
300	-	-	1350	1380	335	-	1800,0	By customers acceptance								
350	By customers acceptance							By customers acceptance								
400	By customers acceptance							By customers acceptance								
450	By customers acceptance							By customers acceptance								
500	By customers acceptance							By customers acceptance								

Dimensions in mm; modifications reserved.

TECHNICAL DATA:

Body material	PN	Maximal working pressure at working temperature																
		20°C	100°C	150°C	200°C	250°C	300°C	350°C	400°C	450°C	480°C	500°C	520°C	530°C	540°C	560°C	570°C	600°C
(P250GH)C 22.8 (1.0460)	320	320,00	297,10	281,90	266,60	243,80	220,90	205,70	190,40	105,10								-
16Mo3 (1.5415)	320	320,00	320,00	320,00	320,00	312,30	274,20	259,00	243,80	236,10	179,50	141,70	89,90	71,60				-
13CrMo4-5 (1.7335)	320	320,00	320,00	320,00	320,00	320,00	318,40	304,70	289,50	274,20	234,90	208,70	143,20	118,80	92,90	60,90	50,20	-
14MoV6-3 (1.7715)	320	320,00	320,00	320,00	320,00	320,00	320,00	320,00	318,50	309,30	307,00	294,10	227,00	199,60	172,20	131,00	111,20	-
11CrMo9-10 (1.7383)	320	320,00	320,00	320,00	320,00	320,00	320,00	312,30	297,10	281,90	236,10	205,70	156,90	137,10	118,80	88,30	77,70	51,8

MOUNTING AND OPERATING:

The gate can only be mounted and operated by skilled, properly trained and qualified personnel. Incorrect assembly or operation of the gate may have substantial impact on the entire system such as fluid leakage, reduction in system's function etc.

Before a gate is installed the pipeline must be clean from any mechanical impurities. The compatibility of critical parameters of the flow must be checked with the parameters of the gate. Gate can be mounted to a pipe-line in any position. The direction of the flow should only comply with the arrow marked on the body. The valve should be operated strictly with its assign. In order to provide gate's reliability the following suggestions must be observed:

- medium flowing through the gate is supposed to be clean out of any mechanical impurities;
- the valve must be protected from any mechanical damages during its work;
- nominal parameters marked on the valve must be observed.