

SWING CHECK VALVE TYPE KZS400

CHARACTERISTIC:

Diameter	-	50 -350 mm;
Pressure	-	400 bar;
Temperature	-	do 600°C;
Medium	-	water, steam and other non-toxic, non aggressive media.

VERSIONS:

type / body material / others

Example: KZS400 / --- / --- / ---

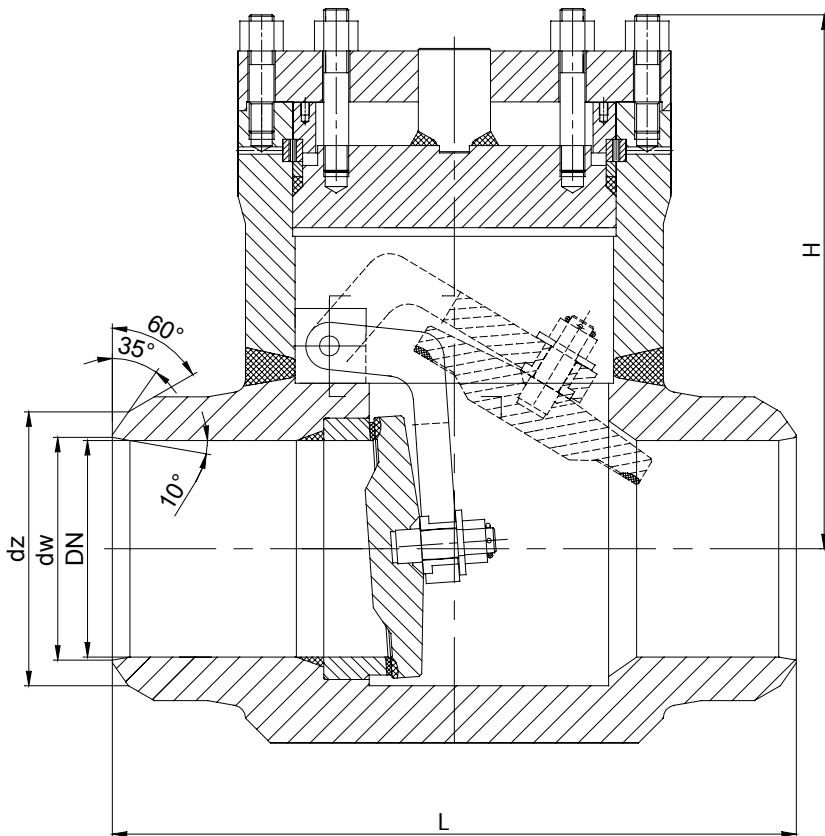
Example: KZS400 / A / --- / ---

Body material	Sign
(P250GH) C 22.8	---
16Mo3	U
13CrMo4-5	A
10CrMo9-10	B
14MoV6-3	C

Others	Sign

APPLICATIONS:

The swing check valves are designed to keep pipeline safe from returning the medium. Swing check valve can be mounted to a pipe-line in horizontal position. The direction of flow should only comply with the arrow marked on the body.



WK



FABRYKA ARMATURY PRZEMYSŁOWEJ

„WAKMET” spółka jawna

Kaczmarek, Krzywdziński, Wachowski, Wilczyński

Bodzanów 75 48-340 GŁUCHOŁAZY 1

tel. +48(077) 439-40-20, fax +48(077) 439-18-72

e-mail: wakmet@wakmet.com.pl

http: www.wakmet.com.pl

MATERIALS:

Versions	Standard	U	A	B	C
Parts	T _{MAX} 450°C	T _{MAX} 530°C	T _{MAX} 560°C	T _{MAX} 600°C	T _{MAX} 570°C
Body	(P250GH) C22.8 (1.0460)	16Mo3 (1.5415)	13CrMo4-5 (1.7335)	10CrMo9-10 (1.7380)	14MoV6-3 (1.7715)
Bonnet					
Disc					
Seat ring	Stellit				
Disc ring	G 18 8 Mn (1.4370)				
Gasket	Grafit				

Special materials on request; modifications reserved.

DIMENSIONS:

DN	Dz	Dw	L	H	h	Dk	Weight
50	77	49,5	350	220	65	350	42,20
65	91	62	425	240	78	350	54,50
80	117	81	470	255	93	350	124,30
100	144	102	550	280	112	400	171,00
125	172	126,5	650	314	146	500	255,50
150	201	146,5	750	365	174	800	302,30
175	-	-	850	400	185	900	521,00
200	278	205,5	950	450	233	1000	732,00
250	329	248,5	1150	485	260	1000	1210,00
300	413	312	1350	505	310	1000	1980,00
350	464	344	1500	1350	355	1000	2090,00

TECHNICAL DATA:

Body material	PN	Maximal working pressure at working temperature																
		20°C	100°C	150°C	200°C	250°C	300°C	350°C	400°C	450°C	480°C	500°C	520°C	530°C	540°C	560°C	570°C	600°C
		bar																
(P250GH)C 22.8 (1.0460)	400	400,00	371,38	352,38	333,25	304,75	276,13	257,13	238,00	131,38	-	-	-	-	-	-	-	-
16Mo3 (1.5415)	400	400,00	400,00	400,00	400,00	390,38	342,75	323,75	304,75	295,13	224,38	177,13	112,38	89,50	-	-	-	-
13CrMo4-5 (1.7335)	400	400,00	400,00	400,00	400,00	400,00	398,00	380,88	361,88	342,75	293,63	260,88	179,00	148,50	116,13	76,13	62,70	-
14MoV6-3 (1.7715)	400	400,00	400,00	400,00	400,00	400,00	400,00	400,00	398,10	386,70	383,80	367,60	283,80	249,50	215,20	163,80	139,00	-
10CrMo9-10 (1.7380)	400	400,00	400,00	400,00	400,00	400,00	400,00	390,38	371,38	352,38	295,13	257,13	196,13	171,38	148,50	110,38	97,13	64,8

MOUNTING AND OPERATING:

The valve can only be mounted and operated by skilled, properly trained and qualified personnel. Incorrect assembly or operation of the valve may have substantial impact on the entire system such as fluid leakage, reduction in system's function etc.

Before a swing check valve is installed the pipeline must be clean from any mechanical impurities. The compatibility of critical parameters of flow must be checked with the parameters of valve. Swing check valve can be mounted to a pipe-line in horizontal position. The direction of the flow should only comply with the arrow marked on the body. The valve should be operated strictly with its assign. In order to provide valve's reliability the following suggestions must be observed:

- medium flowing through the valve is supposed to be clean out of any mechanical impurities;
- the valve must be protected from any mechanical damages during its work;
- nominal parameters marked on the valve must be observed.