

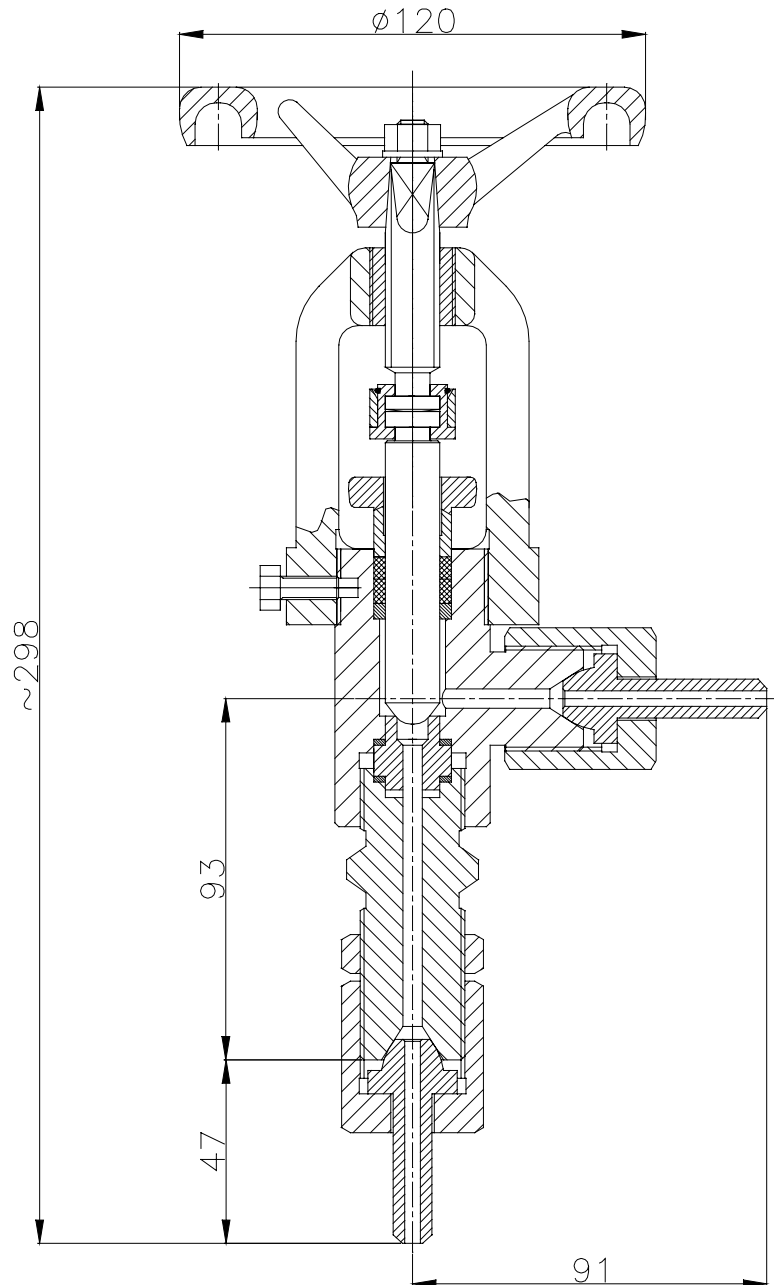
STOP GLOBE VALVE - ANGULAR TYPE ZKH

CARACTERISTIC:

Diameter	-	5 mm;
Pressure	-	370 bar;
Temperature	-	up to 600°C;
Medium	-	AMMONIA (NH ₃)

APPLICATION:

Stop globe valve is designed to open and stop the flow. The valve is not supposed to be used as a regulating device.



WK[®]

FABRYKA ARMATURY PRZEMYSŁOWEJ

„WAKMET” spółka jawna

Kaczmarek, Krzywdziński, Wachowski, Wilczyński

Bodzanów 75 48-340 GŁUCHOŁAZY 1

tel. +48(077) 439-40-20, fax +48(077) 439-18-72

E-mail: wakmet@wakmet.com.pl

<http://www.wakmet.com.pl>

MATERIALS:

Versions	ZKH5U	ZKH5B
Parts	T _{MAX} 530°C	T _{MAX} 600°C
	DN 5	
Body	16Mo3 (1.5415)	10CrMo9-10 (1.7380)
Bonnet	13CrMo4-5 (1.7335)	
Seat ring	X5CrNi18-10 (1.4301)	
Stem	X6CrNiTi18-10 (1.4541)	
Upper stem	X17CrNi16-2 (1.4057)	
Gasket	X5CrNi18-10 (1.4301)	
Packing rings	Grafit	
Wheel	Cast iron	

Special materials on request; modifications reserved.

MOUNTING AND OPERATING:

The valve can only be mounted and operated by skilled, properly trained and qualified personnel. Incorrect assembly or operation of the valve may have substantial impact on the entire system such as fluid leakage, reduction in system's function etc.

Before a valve is installed the pipeline must be clean from any mechanical impurities. The compatibility of critical parameters of the flow must be checked with the parameters of the valve. Stop globe valve can be mounted to a pipe-line in any position. The direction of flow should only comply with the arrow marked on the body. The valve should be operated strictly with its assign. In order to provide valve's reliability the following suggestions must be observed:

- medium flowing through the valve is supposed to be clean out of any mechanical impurities;
- the valve must be protected from any mechanical damages during its work;
- nominal parameters marked on the valve must be observed.