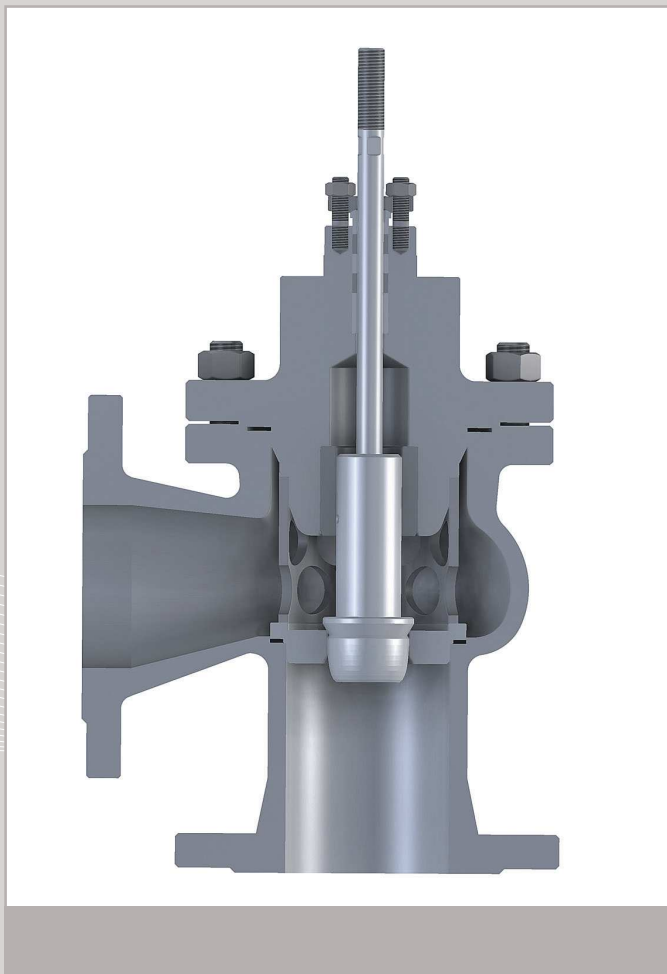


HCVK6 Valve



Application

Regulatory valve of HCVK6 type has to work with low and medium erosive media only. It is suitable to control the highly demanding parameters. It also meets demands of the time limited work at critical conditions. HCVK6 valve also applies to flow adjustment of any liquid, as well as a steam when rather small or moderate pressure drops appear. Continuous heavy cavitation, flashing, or throttled flow call for external protection, such as an orifice or diffusor.

Description

HCVK6 valve has an angular casted body topped by the bonnet. The slip-in seat is fixed by construction cage. Main plug is driven by its own bushing. Both bonnet and seat are sealed with graphite spiral wound gaskets (placed in channels). Thus, disassembly and assembly of the valve are easy and do not require any special tools. The single-stage expansion of the medium is controlled by linear shift of the plug. There are two types of plug available: profiled or perforated. The former is advised when media flow goes under the plug.

Technical data

Nominal diameter	DN80÷DN250			
Nominal pressure	PN10÷PN40			
Connections	bolted flanges; welding ready			
Flow coefficient Kvs	25÷800 m ³ /h			
Body	1.0619 (GP240GH) 1.5419 (G20Mo5)	1.7357 (G17CrMo5-5) 1.4308 (GX5CrNi19-10)	1.4408 (GX5CrNiMo19-11-2)	1.7379 (G17CrMo9-10)
Plug	1.4541 (X6CrNiTi18-10)	1.4057 (X17CrNi16-2)	1.4125 (X105CrMo17)	titanium BT-9
Seat	1.4541 (X6CrNiTi18-10)	1.4057 (X17CrNi16-2)	1.4125 (X105CrMo17)	titanium BT-9
Stem	1.4057 (X17CrNi16-2)	1.4923 (X22CrMoV12-2)		
Cage	1.4057 (X17CrNi16-2)			
Hardening of the inner parts	stellite; nitriding; hardening			
Rangeability	50:1			
Leakage class	metal/metal sealing–IV (standard); V (improved); soft sealing (NBR or PTFE)–VI (special)			
Body's gland	spiral, metal+graphite			
Seal bushing	graphite; PTFE			

INTEC

Industrial Automatics Enterprise INTEC Ltd. Co.
ul. Bacciarellego 54, 51-649 Wrocław, Poland
tel./fax: + 48 71 348 18 18, e-mail: biuro@intec.com.pl
www.intec.com.pl

WK[®]

WAKMET Industrial Valves Factory Utd.
Bodzanów 75, 48-340 Gliucholazy 1, Poland
tel./fax: + 48 77 439 40 20, e-mail: wakmet@wakmet.com.pl
www.wakmet.com.pl