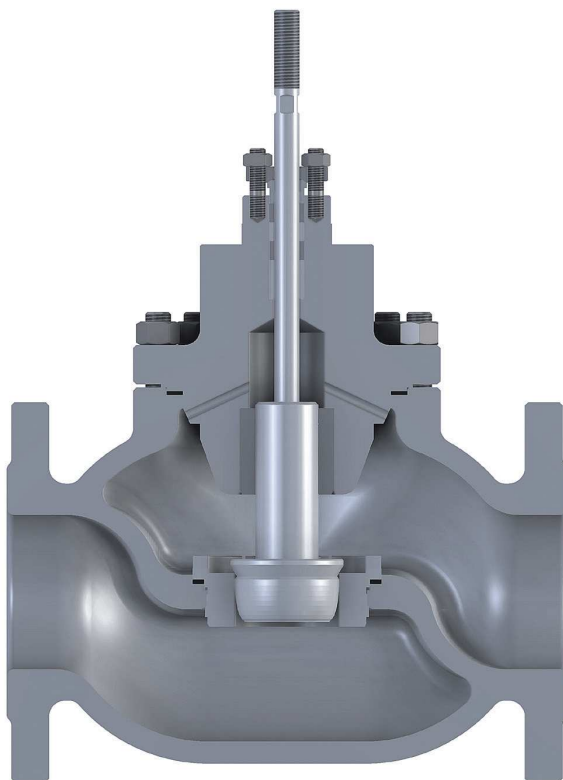


MCV Valve



Application

Regulatory valve of MCV type has to work with low and medium corrosive media only. It is suitable to control given parameter when rather small pressure drops appear. It also meets demands of the time limited work at critical conditions. Continuous heavy cavitation, flashing, or throttled flow call for external protection, such as an orifice or diffusor.

Description

MCV is straightway valve. Basically, it consists of body with screwed in seat and a plug with a stem driven through guide bushing. The body is topped by the bonnet and sealed with graphite spiral wound gasket (placed in channel). The single-stage expansion of the medium is controlled by linear shift of the plug. There are two types of plug available: profiled or perforated. The former is advised when media flow goes under the plug.

Technical data

Nominal diameter	DN15÷DN300			
Nominal pressure	PN10÷PN400			
Connections	bolted flanges; welding ready			
Flow coefficient Kvs	0,1÷1300 m ³ /h			
Body	1.0460 (P250GH)	1.5419 (G20Mo5)	1.4308 (GX5CrNi19-10)	1.4903 (X10CrMoVNb9-1)
	1.0619 (GP240GH)	1.7357 (G17CrMo5-5)	1.4408 (GX5CrNiMo19-11-2)	1.4901 (X10CrWMoVNb9-2)
	1.5415 (16Mo3)	1.4541 (X6CrNiTi18-10)	1.7380 (10CrMo9-10)	1.7379 (G17CrMo9-10)
	1.7335 (13CrMo4-5)	1.4404 (X2CrNiMo17-12-2)	1.7715 (14MoV6-3)	1.6368 (15NiCuMoNb5-6-4)
Plug	1.4541(X6CrNiTi18-10)	1.4057(X17CrNi16-2)	1.4125 (X105CrMo17)	titanium BT-9
Seat	1.4541(X6CrNiTi18-10)	1.4057(X17CrNi16-2)	1.4125 (X105CrMo17)	titanium BT-9
Stem	1.4057 (X17CrNi16-2)	1.4923 (X22CrMoV12-2)		
Hardening of the inner parts	stellite; nitriding; hardening			
Rangeability	50:1			
Leakage class	metal/metal sealing – IV (standard); V (improved); soft sealing (NBR or PTFE) – VI (special)			
Body's gland	spiral, metal+graphite			
Seal bushing	graphite; PTFE			

INTEC

Industrial Automatics Enterprise INTEC Ltd. Co.
ul. Bacłarellego 54, 51-649 Wrocław, Poland
tel./fax: + 48 71 348 18 18, e-mail: biuro@intec.com.pl
www.intec.com.pl

WK[®]

WAKMET Industrial Valves Factory Ultd.
Bodzanów 75, 48-340 Gliucholazy 1, Poland
tel./fax: + 48 77 439 40 20, e-mail: wakmet@wakmet.com.pl
www.wakmet.com.pl